

DH Series Square Drive Ratchet Head
(Clockwise & Counter-Clockwise)

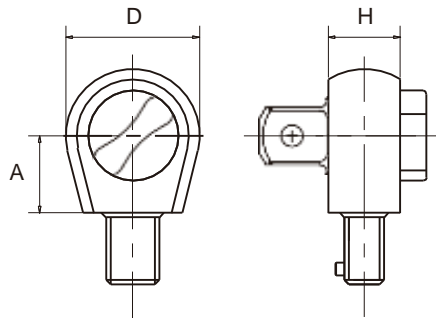
For Rectangular Shank Head Torque Wrenches



Small Size



Big Size



DH Model

| Model | Drive | Shank Size | L mm | H mm | D mm | Weight g | Max Torque Nm |
|-------------|-------|------------|------|------|------|----------|---------------|
| DH9120 | ¼" | 9X12 | 17.5 | 15 | 28 | 90 | 20 |
| DH9125 | ¼" | 9X12 | 17.5 | 20 | 37 | 135 | 25 |
| DH92160 | 3/8 | 9X12 | 17.5 | 20 | 38 | 160 | 160 |
| DH93160 | ½" | 9X12 | 17.5 | 20 | 38 | 160 | 160 |
| DH143420 | ½" | 14X18 | 25 | 20 | 40 | 265 | 420 |
| DH144420 | ¾" | 14X18 | 25 | 20 | 40 | 305 | 420 |
| DH1441200T1 | ¾" | 14X18 | 45 | 32 | 61 | 877 | 1200 |
| DH2441200 | ¾" | 24X32 | 35 | 32 | 60 | 1040 | 1200 |
| DH2451200 | 1" | 24X32 | 35 | 32 | 60 | 1140 | 1200 |
| DH2753000 | 1" | 27X36 | 50 | 42 | 72 | 1720 | 3000 |